

Damping Washers

Elastomer, for Semi-Split Shaft Collars

SPECIFICATION

Elastomer (PUR)

- 70 Shore A
- Temperature resistant up to 80 °C
- Transparent

Adhesive film

- Acrylate dispersion, solvent-free
- Strong adhesion

INFORMATION

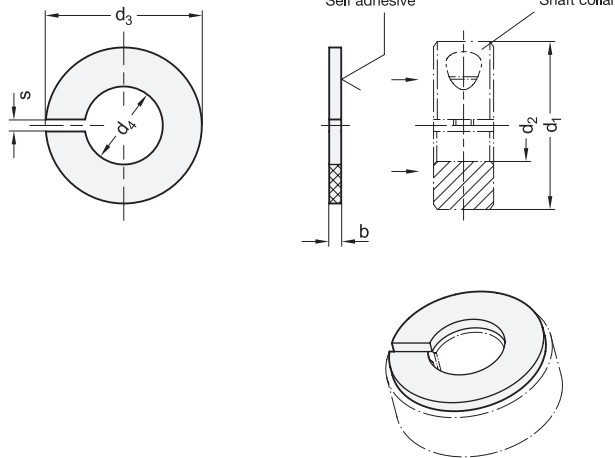
Damping washers GN 7062.30 are designed as accessories for split and semi-split shaft collars and are attached with the help of an adhesive film, preferably on the groove-less side of the shaft collar. They absorb mild shocks and have a sound-dampening effect when the shaft collars come into contact with other components.

Generally, after the protective film is removed, the damping washers can be attached to any suitable and clean surface.

Semi-split shaft collars GN 7062.3 (see page) are generally offered with assembled damping washers.

TECHNICAL INFORMATION

- Plastic Characteristics (see page A2)



GN 7062.30

Description	d1	d2	d3	d4	b ±0.2	s	⚖
GN 7062.30-30-B12	30	B 12	28	13	2	2.1	1
GN 7062.30-32-B14	32	B 14	30	15	2	2.1	1
GN 7062.30-36-B15	36	B 15	34	16	2	2.1	2
GN 7062.30-36-B16	36	B 16	34	17	2	2.1	2
GN 7062.30-42-B18	42	B 18	39	19.5	3	3	4
GN 7062.30-42-B20	42	B 20	39	21.5	3	3	4
GN 7062.30-48-B22	48	B 22	45	23.5	3	3	4
GN 7062.30-48-B25	48	B 25	45	26.5	3	3	4
GN 7062.30-55-B28	55	B 28	52	29.5	3	3	6
GN 7062.30-55-B30	55	B 30	52	31.5	3	3	4
GN 7062.30-60-B32	60	B 32	57	33.5	3	4	6
GN 7062.30-60-B35	60	B 35	57	36.5	3	4	5
GN 7062.30-65-B40	65	B 40	62	41.5	3	4	7